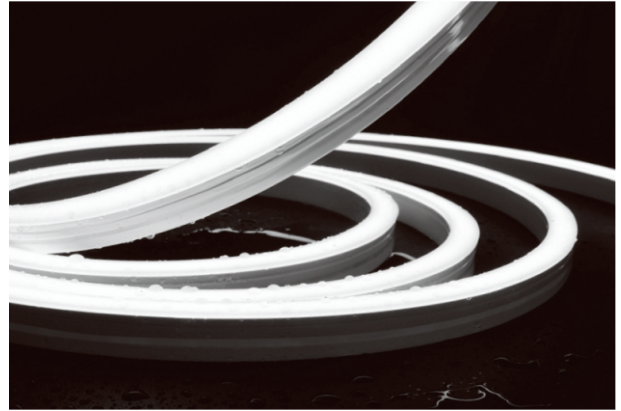
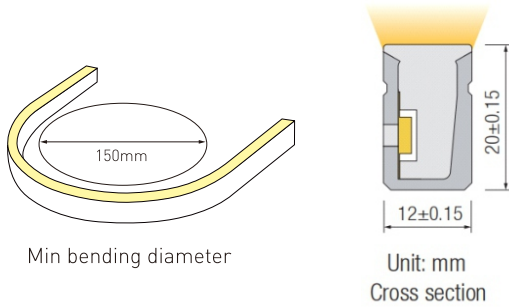
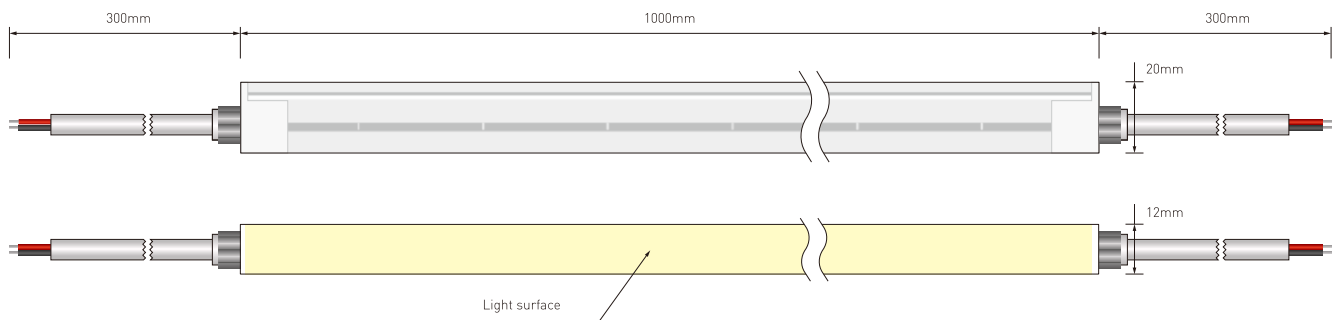


Model : i-NS1220

- 12x20mm Side bend FLEX LED NEON is horizontal bending with diameter of 150mm;
- It is made of Dow Chemical SILASTIC™ ET-7021 silicone rubber, which provides high transparency and high strength, environmental protection grade silicone material;
- It's integrated extrusion molding process, uniform lighting surface and no shadow;
- IP67 and IP68 protection level, salt solution resistance, acids & alkalis, corrosive gases, fire and UV; 3 & 5 years warranty are available, Surface frosting process is optional.







Dimension






Technical Data	
CCT(K)	2100K , 2400K , 2700K , 3000K , 3500K , 4000K , 5000K 6500K , Red , Green , Blue , Yellow , Pink
Working Voltage	DC24V
CRI	>90
Rated Power/m	5w/10w/15w
Storage Temperature	-25 C ~60 C
Ambient Temperature	T _{min} = -25 C , T _{max} [Table below]

LEDNEON 3020	Low Output	STD Output	High Output
Power(W/m)	5W	10W	15W
Max.Ambient tempt.(T _{max})	55 C	45 C	35 C

Color	 Single color	 CCT Tunable	 RGB	 RGBW
CCT(K)	3000K±150	W+WW	RGB	RGB+WW(3000K)
CRI	≥ 90	≥ 90	--	--
Voltage	DC24V	DC24V	DC24V	DC24V
Power(W)	10	10	10	10
Lumen(LM/M)	310	354	160.0	220
Unit Length (mm)	50	50	62.5	62.5
Max. Run Length(M)	17 (CC)	5	5	5
CC/CV	CC/CV	CV	CV	CV

Note:

- When ambient temperature reaches 55 C, the power is suggested to be 5W/M.
- Max. run length refers to single side feed in serial connection.
- The given data are typical values due to the tolerances of the production process and the electrical components, values for light output and electrical power can vary up to 10%.
- The given color temperature is the temperature of finished product.

 Voltage 24v DC	 UV Protection	 Consistency One Bin
 Length 5M	 Waterproof Grade IP 67	 Warranty 3 Years

