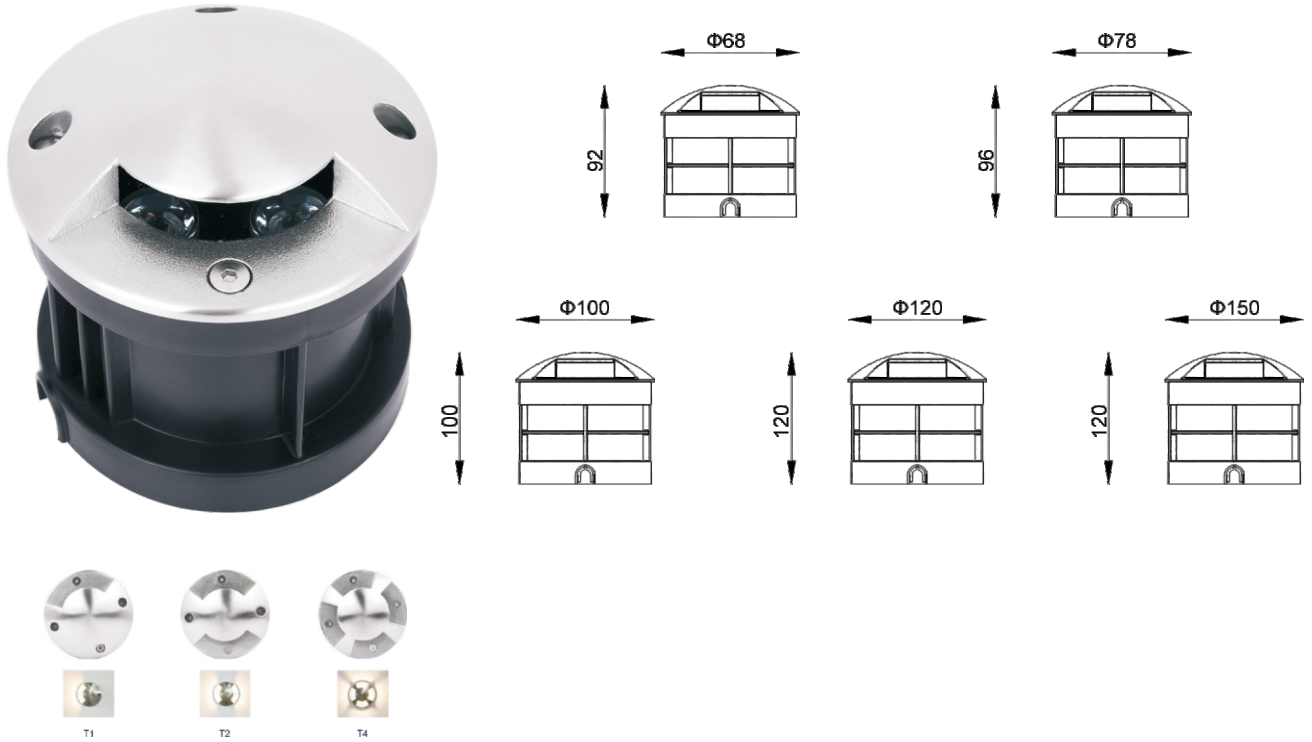




i-INL-410



Specication

	i-INL-410A	i-INL-410B	i-INL-410C	i-INL-410D	i-INL-410E
Power (Luminaire)	1W	1W	3W	6W	7W
LED Type	1Pcs	3Pcs	3Pcs	6Pcs	7Pcs
CRI	>90				
Size	D68*H92	D78*H96	D100*H100	D120*H120	D150*H120
Lumen (Luminaire)	55lm/W				
Input Volt	DC 24V / AC 100-265V				
Color Temperature	1800K-6500K, R, G, B, Y, RGB, RGBW				
Beam Angle	6°				
Driver	Nondim / Dimmer Triac 0-10v / DMX512				
LED Life	50000h				
IP Rating	IP 67				
Load capacity	IK 09, Max 1800Kg load				
Enclosure Material	304/316 Stainless Steel				
Installation way	Recessed				

