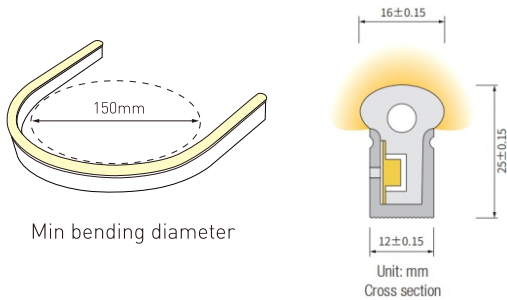
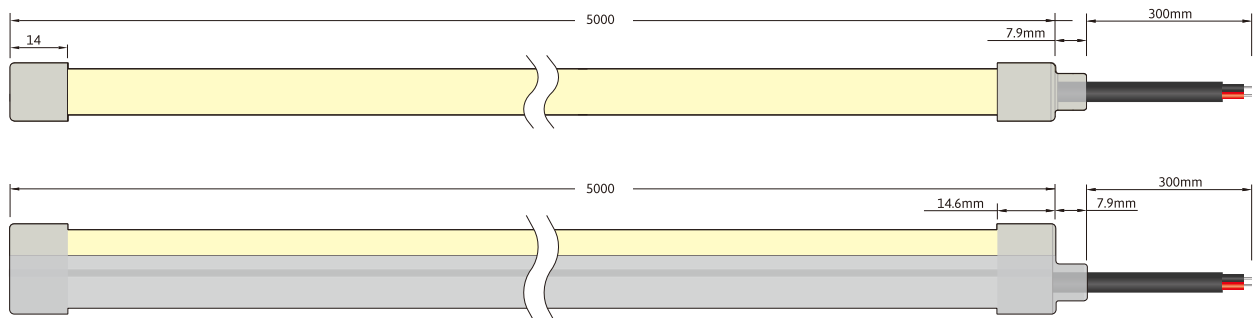


Model : i-NS1225

- 10x18mm Side bend FLEX LED NEON is horizontal bending with diameter of 150mm; It is made of Dow Chemical SILASTIC™ ET-7021 silicone rubber, which provides high
- transparency and high strength, environmental protection grade silicone material;
- It's integrated extrusion molding process, uniform lighting surface and no shadow;
- IP67 protection level, salt solution resistance, acids & alkalis, corrosive gases, fire and UV;
- 3 & 5 years warranty are available, Surface frosting process is optional.



Dimension



Technical Data	
CCT(K)	2100K, 2400K, 2700K, 3000K, 3500K, 4000K, 5000K, 6500K, Red, Green, Blue, Yellow, Pink
Working Voltage	DC24V
CRI	>90
Rated Power/m	5w/10w/15w
Storage Temperature	-25 C ~60 C
Ambient Temperature	T _{a min} = -25 C, T _{a max} (Table below)

LEDNEON 3020	Low Output	STD Output	High Output
Power(W/m)	5W	10W	15W
Max.Ambient tempt.(T _{a max})	55 C	45 C	35 C

Color	Single color	CCT Tunable	RGB	RGBW
CCT(K)	3000K±150	W+WW	RGB	RGB+WW(3000K)
CRI	≥90	>90	--	≥80
Voltage	DC24V	DC24V	DC24V	DC24V
Power(W)	10	10	10	2.5
Lumen(LM/M)	290	295	135	180
Unit Length (mm)	50	50	62.5	62.5
Max. Run Length(M)	17(CC)	5	5	5
CC/CV	CC/CV	CV	CV	CV

Note:

- When ambient temperature reaches 55 C, the power is suggested to be 5W/M.
- Max. run length refers to single side feed in serial connection.
- The given data are typical values due to the tolerances of the production process and the electrical components, values for light output and electrical power can vary up to 10%.
- The given color temperature is the temperature of finished product.

