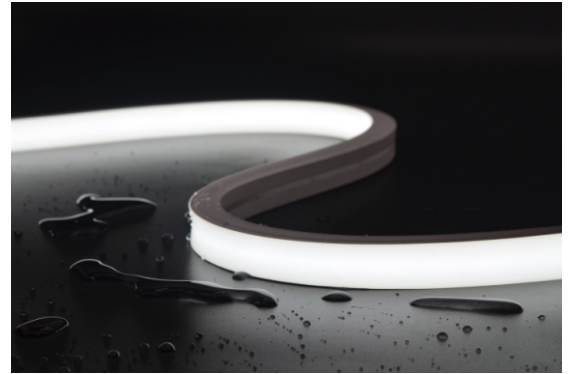
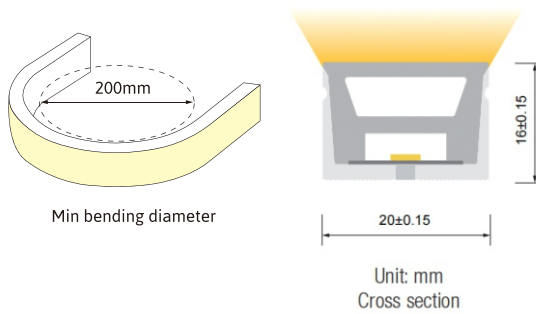
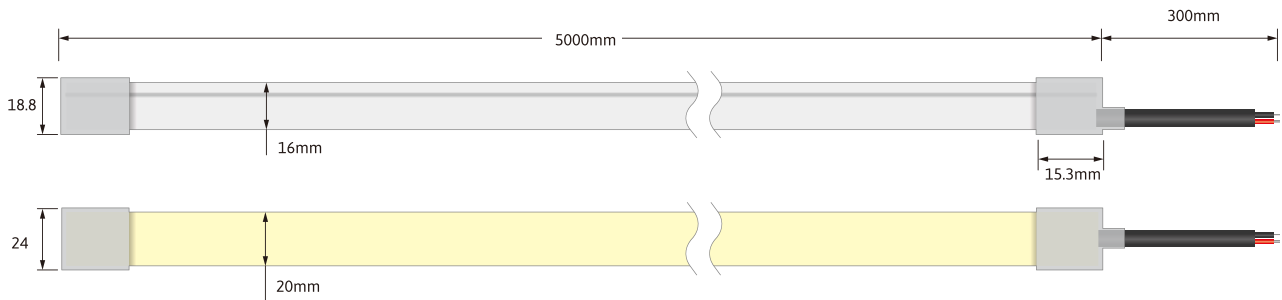


## Model : i-NT2016

- 20x16mm FLEX LED NEON is Vertical bending with diameter of 200mm;
- It is made of Dow Chemical SILASTIC™ ET-7021 silicone rubber, which provides high transparency and high strength, environmental protection grade silicone material;
- It's integrated extrusion molding process, uniform lighting surface and no shadow;
- IP67 protection level, salt solution resistance, acids & alkalis, corrosive gases, fire and UV;
- 3 & 5 years warranty are available, Surface frosting process is optional.



## Dimension



### Technical Data




CCT(K)	2400K, 2700K, 3000K, 3500K, 4000K, 5000k 6500K_Red, Green, Blue, Yellow, Pink
Working Voltage	DC24V
CRI	>90
Rated Power/m	5w/10w/15w
Storage Temperature	-25 C~60 C
Ambient Temperature	T <sub>min</sub> =-25 C, T <sub>max</sub> (Table below)

LEDNEON 2016	Low Output	STD Output	High Output
Power[W/m]	5W	10W	15W
Max.Ambient tempt.(T <sub>max</sub> )	55 C	45 C	35 C

Color	Single color	CCT Tunable	RGB	RGBW
CCT(K)	3000K±150	W+WW	RGB	RGB+WW(3000K)
CRI	≥90	≥90	--	--
Voltage	DC24V	DC24V	DC24V	DC24V
Power(W)	10	10	10	10
Lumen(LM/M)	590	635	280	380
Unit Length (mm)	50	50	62.5	62.5
Max. Run Length(M)	17(CC)	5	5	5
CC/CV	CC/CV	CV	CV	CV

### Note:

- When ambient temperature reaches 55 C, the power is suggested to be 5W/M.
- Max. run length refers to single side feed in serial connection.
- The given data are typical values due to the tolerances of the production process and the electrical components, values for light output and electrical power can vary up to 10%.
- The given color temperature is the temperature of finished product.

 <b>Voltage</b> 24v DC	 <b>UV</b> Protection	 <b>Consistency</b> One Bin
 <b>Length</b> 5M	 <b>Waterproof Grade</b> IP 67	 <b>Warranty</b> 3 Years

