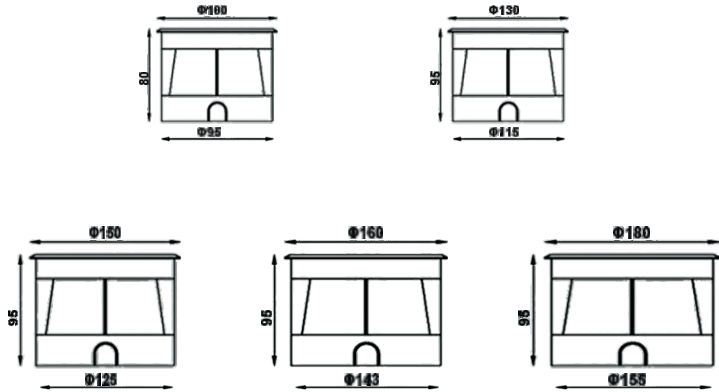
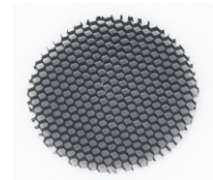




i-INL-C51



Anti-glare accessory
Honeycomb



Specication

	i-INL-C51A	i-INL-C51B	i-INL-C51C	i-INL-C51D	i-INL-C51E
Power (Luminaire)	5W	7W	9W	10W	15W
LED Type	LED COB				
CRI	>90				
Size	D100*H80	D130*H95	D150*H95	D160*H95	D180*H95
Lumen (Luminaire)	85lm/W				
Input Volt	DC 12V / AC 100-265V				
Color Temperature	2700K, 3000K, 4000K, 5000K, 6000K				
Beam Angle	24°, 42°				
Driver	Nondim / Dimmer Triac 0-10v				
LED Life	50000h				
IP Rating	IP 67				
Load capacity	IK 10, Max 2000Kg load				
Enclosure Material	Die-cast Aluminum+Stainless steel trim				
Honeycomb	Option				

